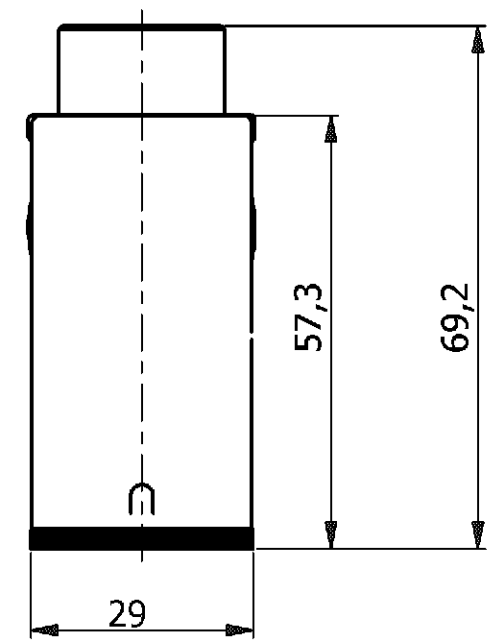
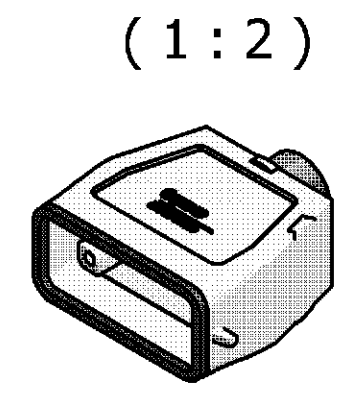


PN:0-1 as shown



NOTES

- 1 PACKAGING QUANTITY: 5 PIECES PER BOX
- 2 MATERIAL: HOUSING: ALUMINIUM DIECASTING ALLOY
SEALS : NEOPRENE
- 3 SURFACE: VARNISH-GREY
- 4 VARNISH ON THE INSIDE NOT NECESSARY



PN:0-1
Ordering Text
HA.10.STO.1.13,5.Z

1	2	3	3				
1	Adaptor Round	Brass	Ni Plated	-	3		
1	Profile Seal	Neoprene	-	Black	2		
1	Hood HA	Aluminium	-	Grey	1		
0-1	DESCRIPTIO	MATERIAL	SURFACE	COLOR	ITEM		
PART LIST							
<table border="1" style="width:100%; border-collapse: collapse;"> <thead> <tr> <th>REMARKS</th> </tr> </thead> <tbody> <tr> <td>-</td> </tr> </tbody> </table>						REMARKS	-
REMARKS							
-							

<small>THIS DRAWING IS A CONTROLLED DOCUMENT FOR AMP INCORPORATED. IT IS SUBJECT TO CHANGE AND THE CONTROLLING ENGINEERING ORGANIZATION SHOULD BE CONTACTED FOR THE LATEST REVISION. DIESSES ZEICHNUNGSDOKUMENT WIRD DURCH AMP INCORPORATED KONTROLLIERT. ÄNDERUNGEN, DIE DEN TECHNISCHEN FORTSCHRITT DIENTEN, SIND VORBEHALTEN. DEN JEWELNS LETZTIGELTIGEN ÄNDERUNGSSTAND ERFAHREN SIE AUF ANFRAGE.</small>		DWN	3/2/2006	 Tyco / Electronics AMP GmbH D - 53819 Neunkirchen, Germany													
DIMENSIONS: DIMENSIONEN: mm		R.SRINIVAS	3/3/2006														
<small>TOLERANCES UNLESS OTHERWISE SPECIFIED: ALLGEMEINTOLERANZEN</small>		CHK	R.SRINIVAS	HOOD HA.10.STO.1.13,5.Z													
<table border="1" style="width:100%; border-collapse: collapse;"> <tr> <td>n. ISO 8015 -</td> <td>mH-E</td> </tr> <tr> <td>n. ISO 2768 -</td> <td>140</td> </tr> <tr> <td>n. DIN 16901 -</td> <td></td> </tr> </table>		n. ISO 8015 -	mH-E			n. ISO 2768 -	140	n. DIN 16901 -		APVD	T. SCHNURPFEL	1/19/2004					
n. ISO 8015 -	mH-E																
n. ISO 2768 -	140																
n. DIN 16901 -																	
<table border="1" style="width:100%; border-collapse: collapse;"> <tr> <td>0 PLC</td> <td>#</td> </tr> <tr> <td>1 PLC</td> <td>#</td> </tr> <tr> <td>2 PLC</td> <td>#</td> </tr> <tr> <td>3 PLC</td> <td>#</td> </tr> <tr> <td>ANGLES / WINKEL</td> <td>#</td> </tr> </table>		0 PLC	#	1 PLC	#	2 PLC	#	3 PLC	#	ANGLES / WINKEL	#	<small>PRODUCT SPEC. / PRODUKTSPEZ.</small>		<small>RESTRICTED TO NUR FUER</small>			
0 PLC	#																
1 PLC	#																
2 PLC	#																
3 PLC	#																
ANGLES / WINKEL	#																
<small>MATERIAL</small>		<small>WEIGHT / GEWICHT</small>		<table border="1" style="width:100%; border-collapse: collapse;"> <tr> <td>SIZE</td> <td>CAGE CODE</td> <td>DRAWING NO. / ZEICHNUNGS-NR.</td> <td colspan="3"></td> </tr> <tr> <td>A3</td> <td>00779</td> <td>1102196</td> <td colspan="3"></td> </tr> </table>		SIZE	CAGE CODE	DRAWING NO. / ZEICHNUNGS-NR.				A3	00779	1102196			
SIZE	CAGE CODE	DRAWING NO. / ZEICHNUNGS-NR.															
A3	00779	1102196															
<small>FINISH / OBERFLAECHE / FARBE</small>		<small>CUSTOMER DRAWING / KUNDENZEICHNUNG</small>		<table border="1" style="width:100%; border-collapse: collapse;"> <tr> <td>SCALE / MASSSTAB</td> <td>1:1</td> <td>SHEET / BLATT</td> <td>1</td> <td>OF / VON</td> <td>1</td> </tr> <tr> <td>REV.</td> <td>B1</td> <td colspan="4"></td> </tr> </table>		SCALE / MASSSTAB	1:1	SHEET / BLATT	1	OF / VON	1	REV.	B1				
SCALE / MASSSTAB	1:1	SHEET / BLATT	1	OF / VON	1												
REV.	B1																